

# Toma de Fuerza Power Take Off's

código code

**1017803**

S5-50, S5-90, S6-65, S6-66, S6-70S6-75, S6-80, S6-90  
6S-800TO (Volvo ZTO 1006), 6S-1000TO, 6S-1200TD/TO

**ZF**

Posterior Neumático (1: 1,72)

Rear Pneumatic



## Descripción Description

Toma de fuerza reforzada de dos piñones, relación interna 1:1,72, para montar bombas ISO 4 taladros. Accionamiento neumático (Pistón Central), montaje sobre el registro frontal de 4 taladros de la caja de cambios. Indicador de funcionamiento opcional.

Heavy Duty Power Take-off two gears, internal ratio 1:1,72, to connect Iso 4 bolts pumps. Pneumatic shifting (Central Piston) mounting on rear 4 bolts-window of the Gearbox. Optional: Passing contact switch.

## Datos Principales Main Data

Par nominal Torque (Nm)	Continuo Continuous	325
	Intermitente Intermittent	450
Potencia (Cv) a 1000 r.p.m. Power (HP) 1000 r.p.m	46 C.V // 34 Kw	
Lado de montaje Mounting position	Posterior Rear	
Sentido de giro de la bomba Pump rotation	Derecho Right Hand	
Peso Weight (Kg)	11	
Relación motor - Toma de Fuerza Engine to PTO ratio	ANEXO ATTACHED	

## Códigos y Combinaciones Codes and Combinations

Tipos de salida Output types	Eje Shaft	Plato Flange	Bomba Pump (DIN 5462)
Accionamiento neumático Pneumatic shifting		1017802	1017803

# Toma de Fuerza Power Take Off's

código code

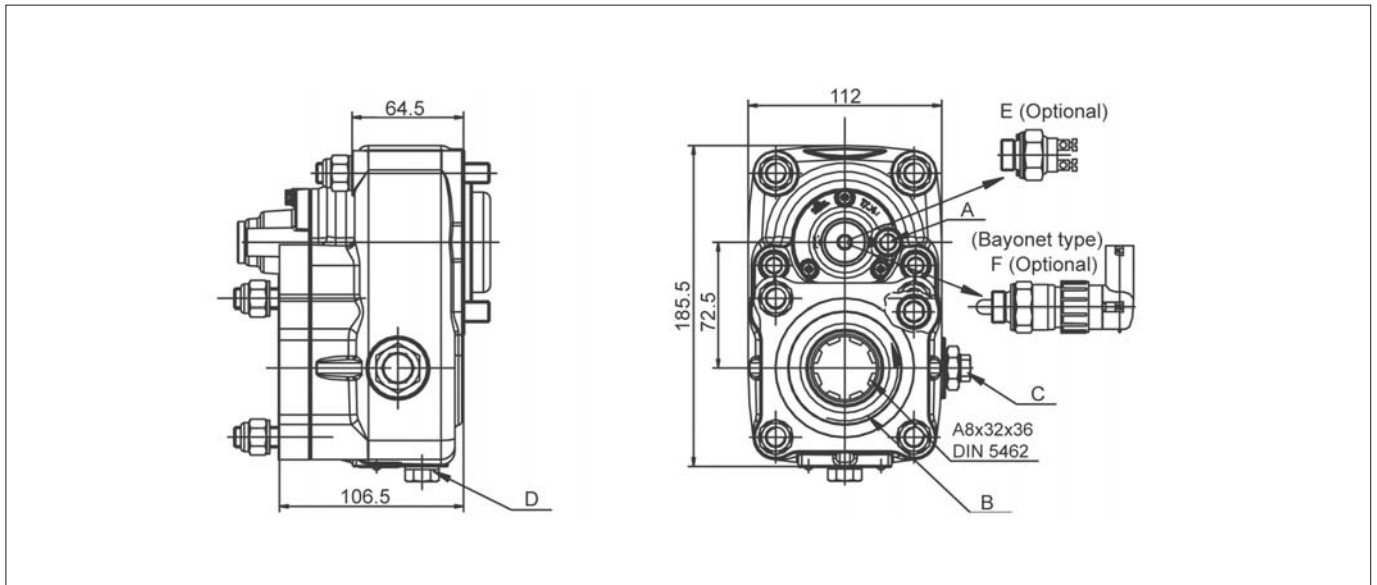
**1017803**

S5-50, S5-90, S6-65, S6-66, S6-70S6-75, S6-80, S6-90  
6S-800TO (Volvo ZTO 1006), 6S-1000TO, 6S-1200TD/TO

**ZF**

Posterior Neumático (1: 1,72)

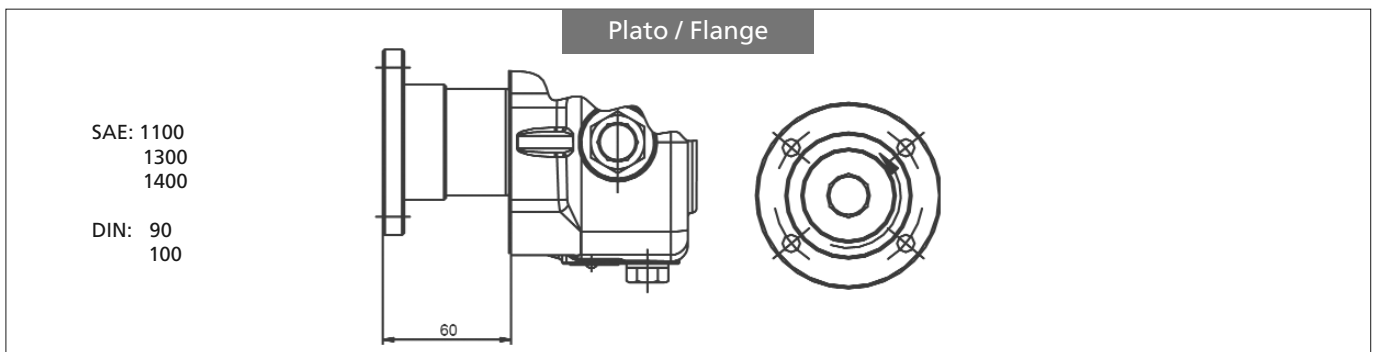
Rear Pneumatic



## Notas Notes

Kit lubricación Opcional 900199		Lubrication Kit Optional 900199	
A	Toma de aire, rosca 1/8" GAS	A	Air connection, thread 1/8" BSP
B	Sentido de giro	B	Rotation
C	Conexión latiguillo de entrada	C	Input oil pipe connection
D	Conexión latiguillo de salida	D	Output oil pipe connection
E	Interruptor neumático. (100070018)	E	Pressure switch. P/N 100070018
F	Interruptor de contacto. (9024999)	F	Passing contact switch. P/N 9024999

## Tipos de Salida Output Types



# Toma de Fuerza Power Take Off's

código code

1017803

S5-50, S5-90, S6-65, S6-66, S6-70S6-75, S6-80, S6-90  
6S-800TO (Volvo ZTO 1006), 6S-1000TO, 6S-1200TD/TO

# ZF

Posterior Neumático (1: 1,72)

Rear Pneumatic

CAJA GEARBOX		RELACIÓN RATIO		
S5-50	/ 5.30	1: 1,123		
	/ 5.50	1: 1,057		
	/ 6.20	1: 0,937		
	/ 6.61	1: 0,877		
	/ 6.61+GV80	Larga High	1: 1,095	
		Normal Normal	1: 0,877	
	/ 8.02	1: 0,725		
/ 8.02+GV80/6.20	Larga High	1: 0,937		
	Normal Normal	1: 0,723		
S5-90GP	/ GPA	1: 1,531		
S6-65	/ 6.37	1: 1,118		
	/ 6.70	1: 1,066		
	/ 7.0+GV70/7.67	Larga High	1: 0,784	
		Normal Normal	1: 0,627	
	/ 7.40	1: 0,966		
	/ 7.52	1: 0,954		
	/ 9.00	1: 0,794		
	/ 7.97+GV80/6.70	Larga High	1: 1,066	
		Normal Normal	1: 0,902	
	/ 9.00+GV80/6.70	Larga High	1: 1,066	
Normal Normal		1: 0,794		
/ 9.00+GV80/7.52	Larga High	1: 0,952		
	Normal Normal	1: 0,794		
S6-66	/ 7.36-1.0	1: 0,897		
	/ 9.06-1.0	1: 0,715		
S6-70	/ 6.8	1: 0,883		
	/ 6.8+GV70/5.71	Larga High	1: 1,052	
		Normal Normal	1: 0,883	
	/ 7.36	1: 0,822		
	/ 7.92	1: 0,758		
	/ 9.03	1: 0,665		
/ 9.59	1: 0,627			
S6-75	/ 6.70+GV80/7.52	Normal Normal	1: 1,066	
		Corta Low	1: 0,952	
S6-80	/ 5.03	1: 1,342		
	/ 5.66	1: 1,273		

CAJA GEARBOX		RELACIÓN RATIO		
S6-80	/ 5.66+GV80/7.52	Larga High	1: 1,269	
		Normal Normal	1: 0,956	
	/ 6.10	1: 1,183		
	/ 6.7	1: 1,066		
	/ 6.7+GV80/5.30	Larga High	1: 1,353	
		Normal Normal	1: 1,066	
	/ 6.90	1: 0,885		
	/ 7.35	1: 0,949		
	/ 7.41	1: 0,968		
	/ 7.53	1: 0,954		
	/ 7.67	1: 0,929		
	/ 7.67+GV80/6.7	Larga High	1: 1,069	
		Normal Normal	1: 0,934	
	/ 7.90	1: 0,902		
	/ 9.00	1: 0,791		
	/ 9.00+GV80/5.30	Larga High	1: 1,353	
Normal Normal		1: 0,794		
/ 9.00+GV80/7.48	Larga High	1: 0,966		
	Normal Normal	1: 0,794		
/ 9.00+GV80/7.52	Larga High	1: 0,952		
	Normal Normal	1: 0,794		
S6-90	/ 5.67	1: 1,290		
	/ 5.74	1: 1,273		
	/ 6.37	1: 1,273		
	/ 6.98	1: 1,052		
	/ 7.03	1: 1,037		
	/ 7.03+GV90/5.67	Larga High	1: 1,290	
		Normal Normal	1: 1,037	
	/ 7.03+GV90/5.74	Larga High	1: 1,264	
		Normal Normal	1: 1,032	
	/ 7.40	1: 0,988		
/ 9.01	1: 0,808			
/ 9.01+GV90/7.40	Larga High	1: 0,985		
	Normal Normal	1: 0,809		
6S800TO/6.58-0.78(Volvo ZTO 1006)		1: 0,912		
6S1000TO/6.75 - 0.78		1: 0,912		
6S1200TD/7.72 - 1.00		1: 0,929		
6S1200TO/6.75 - 0.83		1: 1,066		