

Toma de Fuerza Power Take Off's

código code

1021803

16S-151/181/221; 8S-151/1620/1820,
16S-1620/1920/2220/23020/2330/1820/2220/2520/270/2730
10 Tal. Altas Prestaciones / 10 Bolt. High Performance

ZF

Posterior Neumático
Rear Pneumatic



Descripción Description

Toma de fuerza reforzada de 2 piñones, para montar en el registro frontal de 10 taladros de la caja de cambios. Accionamiento neumático, para montar bombas ISO 4 taladros. Indicador de funcionamiento opcional.

Heavy Duty Power Take-off 2 gears, internal mounting on rear 10 bolts-opening of the Gearbox. Pneumatic shifting, to connect Iso 4 bolts pumps. Optional: Passing contact switch.

Datos Principales Main Data

Relación Interna Internal Ration		1: 1,04	1: 1,26
Par nominal Torque (Nm)	Continuo Continuous	600	500
	Intermitente Intermittent	800	700
Potencia (Cv) a 1000 r.p.m. Power (HP) 1000 r.p.m		85 C.V // 64 Kw	70 C.V // 52 Kw
Lado de montaje Mounting position		Posterior Rear	
Sentido de giro de la bomba Pump rotation		Derecho Right Hand	
Relación motor - Toma de Fuerza Engine to PTO ratio		Anexo I Attached I	Anexo II Attached II
Peso Weight (Kg)		20	

Códigos y Combinaciones Codes and Combinations

Tipos de salida Output types		Eje Shaft	Plato Flange	Bomba Pump (DIN 5462)
Relación Internal Internal Ratio	1: 1,04		1021802	1021803
	1: 1,26		1021702	1021703

Toma de Fuerza Power Take Off's

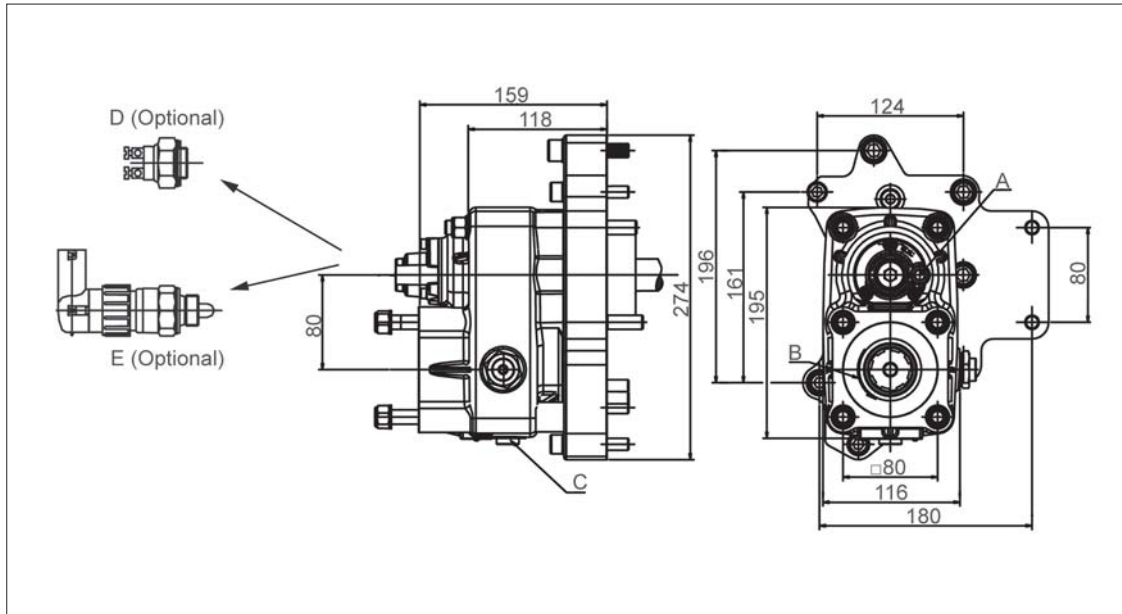
código code

1021803

16S-151/181/221; 8S-151/1620/1820,
16S-1620/1920/2220/23020/2330/1820/2220/2520/270/2730
10 Tal. Altas Prestaciones / 10 Bolt. High Performance

ZF

Posterior Neumático con ó sin Intarder
Rear Pneumatic with or without Intarder



Opción de montaje 1
Mounting Options 1



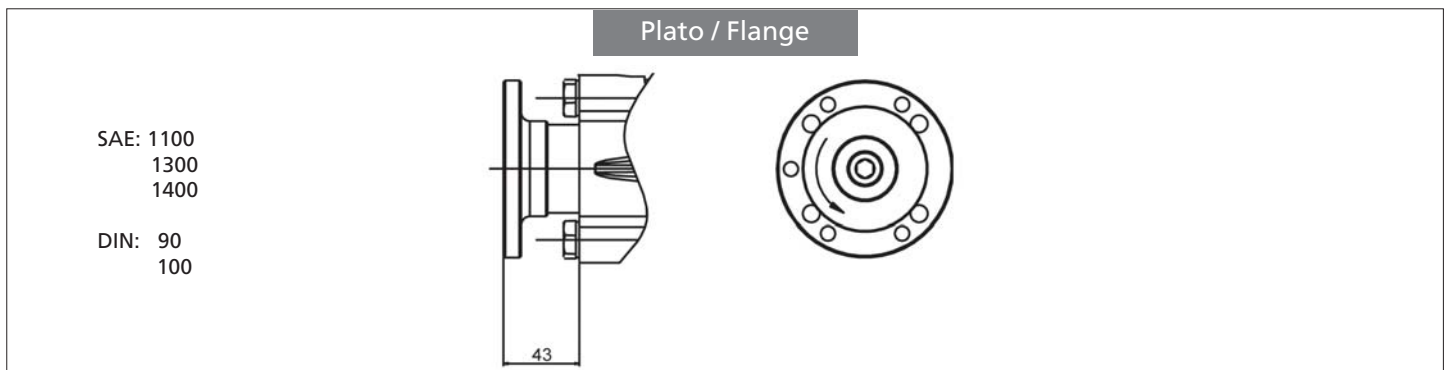
Opción de montaje 2
Mounting Options 2



Notas Notes

Trabajo cont.-Alto par: Montar enfriador aceite		On continuous works & high torque: Install an oil cooler	
A	Toma de aire, rosca 1/8" Gas	A	Air connection, thread 1/8" BSP
B	Sentido de giro	B	Rotation
C	Tapón de drenaje del aceite	C	Oil drain plug
D	Interruptor neumático. (100070018)	D	Pressure switch. P/N 100070018
E	Interruptor de contacto. (9024999)	E	Passing contact switch. P/N 9024999

Tipos de Salida Output Types



Toma de Fuerza Power Take Off's

código code

1021803

16S-151/181/221; 8S-151/1620/1820,
16S-1620/1920/2220/23020/2330/1820/2220/2520/270/2730
10 Tal. Altas Prestaciones / 10 Bolt. High Performance

ZF

Posterior Neumático con ó sin Intarder
Rear Pneumatic with or without Intarder

Anexo I Attached I

CAJA GEARBOX		RELACIÓN RATIO	
8S151/13.79		1: 0,987	
8S1620 TD/13.80-1.0		1: 0,976	
8S1820 TO/11.54-0.84		1: 1,170	
16S151/13.85-0.84	Normal Normal	1: 0,826	
	Larga High	1: 0,987	
16S1820 TO/13.80-0.84	Normal Normal	1: 0,976	
	Larga High	1: 1,170	
16S2220 TO/13.80-0.84	Normal Normal	1: 0,976	
	Larga High	1: 1,170	
16S2520 TO/13.80-0.84	Normal Normal	1: 0,976	
	Larga High	1: 1,170	
16S2720 TO/13.80-0.84	Normal Normal	1: 0,976	
	Larga High	1: 1,170	
16S2730 TO/13.80-0.84	Normal Normal	1: 0,976	
	Larga High	1: 1,170	
16S1620 TD/16.41-1.00	Normal Normal	1: 0,826	
	Larga High	1: 0,976	
16S1920 TD/16.41-1.00	Normal Normal	1: 0,826	
	Larga High	1: 0,976	
16S2220 TD/16.41-1.00	Normal Normal	1: 0,826	
	Larga High	1: 0,976	
16S2320 TD/16.41-1.00	Normal Normal	1: 0,826	
	Larga High	1: 0,976	
16S2330 TD/16.41-1.00	Normal Normal	1: 0,826	
	Larga High	1: 0,976	
16S151	13.80IT	Larga High	1: 0,957
		Normal Normal	1: 0,801
	13.85IT	Larga High	1: 0,957
		Normal Normal	1: 0,801
	16.41IT	Larga High	1: 0,957
		Normal Normal	1: 0,801
16.47IT	Larga High	1: 0,957	
	Normal Normal	1: 0,801	
16.53IT	Larga High	1: 0,957	
	Normal Normal	1: 0,801	
16S181	13.80IT	Larga High	1: 0,957
		Normal Normal	1: 0,801
	13.85IT	Larga High	1: 0,957
		Normal Normal	1: 0,801

CAJA GEARBOX		RELACIÓN RATIO		
16S181	/16.41 IT	Larga High	1: 0,957	
		Normal Normal	1: 0,801	
	/16.47 IT	Larga High	1: 0,957	
		Normal Normal	1: 0,801	
	/16.53 IT	Larga High	1: 0,957	
		Normal Normal	1: 0,801	
16S221	/13.80 IT	Larga High	1: 0,957	
		Normal Normal	1: 0,801	
	/13.85 IT	Larga High	1: 0,957	
		Normal Normal	1: 0,801	
	/16.41 IT	Larga High	1: 0,957	
		Normal Normal	1: 0,801	
	/16.47 IT	Larga High	1: 0,957	
		Normal Normal	1: 0,801	
	/16.53 IT	Larga High	1: 0,957	
		Normal Normal	1: 0,801	
	16S1621 TD/16.41-1.0 IT		Larga High	1: 0,947
			Normal Normal	1: 0,801
16S1921 TD/16.41-1.0 IT		Larga High	1: 0,947	
		Normal Normal	1: 0,801	
16S2221 TD/16.41-1.0 IT		Larga High	1: 0,947	
		Normal Normal	1: 0,801	
16S2321 TD/16.41-1.0 IT		Larga High	1: 0,947	
		Normal Normal	1: 0,801	
16S2331 TD/16.41-1.0 IT		Larga High	1: 0,947	
		Normal Normal	1: 0,801	
16S1821 TO/13.80-0.84 IT		Larga High	1:1,133	
		Normal Normal	1: 0,947	
16S2221 TO/13.80-0.84 IT		Larga High	1: 1,133	
		Normal Normal	1: 0,947	
16S2521 TO/13.80-0.84 IT		Larga High	1: 1,133	
		Normal Normal	1: 0,947	
16S2721 TO/13.80-0.84 IT		Larga High	1: 1,133	
		Normal Normal	1: 0,947	
16S2731 TO/13.80-0.84 IT		Larga High	1: 1,133	
		Normal Normal	1: 0,947	

Toma de Fuerza Power Take Off's

código code

1021803

16S-151/181/221; 8S-151/1620/1820,
16S-1620/1920/2220/23020/2330/1820/2220/2520/270/2730
10 Tal. Altas Prestaciones / 10 Bolt. High Performance

ZF

Posterior Neumático con ó sin Intarder
Rear Pneumatic with or without Intarder

Anexo II Attached II

CAJA GEARBOX	RELACIÓN RATIO
8S151/13.79	1: 1,159
8S1620 TD/13.80-1.0	1: 1,147
8S1820 TO/11.54-0.84	1: 1,373
16S151/13.85-0.84	Normal Normal 1: 0,970
	Larga High 1: 1,159
16S1820 TO/13.80-0.84	Normal Normal 1: 1,147
	Larga High 1: 1,373
16S2220 TO/13.80-0.84	Normal Normal 1: 1,147
	Larga High 1: 1,373
16S2520 TO/13.80-0.84	Normal Normal 1: 1,147
	Larga High 1: 1,373
16S2720 TO/13.80-0.84	Normal Normal 1: 1,147
	Larga High 1: 1,373
16S2730 TO/13.80-0.84	Normal Normal 1: 1,147
	Larga High 1: 1,373
16S1620 TD/16.41-1.00	Normal Normal 1: 0,970
	Larga High 1: 1,147
16S1920 TD/16.41-1.00	Normal Normal 1: 0,970
	Larga High 1: 1,147
16S2220 TD/16.41-1.00	Normal Normal 1: 0,970
	Larga High 1: 1,147
16S2320 TD/16.41-1.00	Normal Normal 1: 0,970
	Larga High 1: 1,147
16S2330 TD/16.41-1.00	Normal Normal 1: 0,970
	Larga High 1: 1,147
16S151/13.80IT	Larga High 1: 1,159
	Normal Normal 1: 0,970
16S151/13.85IT	Larga High 1: 1,159
	Normal Normal 1: 0,970
16S151/16.41IT	Larga High 1: 1,159
	Normal Normal 1: 0,970
16S151/16.47IT	Larga High 1: 1,159
	Normal Normal 1: 0,970
16S151/16.53IT	Larga High 1: 1,159
	Normal Normal 1: 0,970
16S181/13.80IT	Larga High 1: 1,159
	Normal Normal 1: 0,970
16S181/13.85IT	Larga High 1: 1,159
	Normal Normal 1: 0,970

16S181	/16.41 IT	Larga High 1: 1,159	
		Normal Normal 1: 0,970	
	/16.47 IT	Larga High 1: 1,159	
		Normal Normal 1: 0,970	
	/16.53 IT	Larga High 1: 1,159	
		Normal Normal 1: 0,970	
16S221	/13.80 IT	Larga High 1: 1,159	
		Normal Normal 1: 0,970	
	/13.85 IT	Larga High 1: 1,159	
		Normal Normal 1: 0,970	
	/16.41 IT	Larga High 1: 1,159	
		Normal Normal 1: 0,970	
	/16.47 IT	Larga High 1: 1,159	
		Normal Normal 1: 0,970	
	/16.53 IT	Larga High 1: 1,159	
		Normal Normal 1: 0,970	
	16S1621 TD/16.41-1.0 IT		Larga High 1: 1,147
			Normal Normal 1: 0,970
16S1921 TD/16.41-1.0 IT		Larga High 1: 1,147	
		Normal Normal 1: 0,970	
16S2221 TD/16.41-1.0 IT		Larga High 1: 1,147	
		Normal Normal 1: 0,970	
16S2321 TD/16.41-1.0 IT		Larga High 1: 1,147	
		Normal Normal 1: 0,970	
16S2331 TD/16.41-1.0 IT		Larga High 1: 1,147	
		Normal Normal 1: 0,970	
16S1821 TO/13.80-0.84 IT		Larga High 1: 1,373	
		Normal Normal 1: 1,147	
16S2221 TO/13.80-0.84 IT		Larga High 1: 1,373	
		Normal Normal 1: 1,147	
16S2521 TO/13.80-0.84 IT		Larga High 1: 1,373	
		Normal Normal 1: 1,147	
16S2721 TO/13.80-0.84 IT		Larga High 1: 1,373	
		Normal Normal 1: 1,147	
16S2731 TO/13.80-0.84 IT		Larga High 1: 1,373	
		Normal Normal 1: 1,147	