

código code



# Toma de Fuerza Power Take Off's

FULLER

DOS SALIDAS INDEPENDIENTES  
TWO INDEPENDENT OUTPUTS

# Eaton

Inferior Neumático  
Bottom Pneumatic

## Descripción Description



Toma de fuerza 2 salidas independientes y varias relaciones internas. Accionamiento neumático y diferentes tipos de salida. ISO 4 Tal, SAE B, SAE C, etc.

2 independent outputs pto with diferent internal ratios pneumatic shifting and with diferent outputs. ISO 4 bolt, SAE B 2/4 bolt, SAE C 4 bolt, etc.

### Datos Principales (Salida 1) Main Data ( Output 1)

Par nominal Torque (Nm)	Continuo Continuous	400
	Intermitente Intermittent	570
Potencia (Cv) a 1000 r.p.m. Power (HP) 1000 r.p.m	57 C.V // 42 Kw	
Sentido de giro de la bomba Pump rotation	Izquierdo Left	
Relación motor - Toma de Fuerza Engine to PTO ratio	Anexo 1 Attached 1	

### Datos Principales (Salida 2) Main Data (Output 2)

Par nominal Torque (Nm)	Continuo Continuous	400
	Intermitente Intermittent	570
Potencia (Cv) a 1000 r.p.m. Power (HP) 1000 r.p.m	57 C.V // 42 Kw	
Sentido de giro de la bomba Pump rotation	Izquierdo Left	
Relación motor - Toma de Fuerza Engine to PTO ratio	Anexo 2 Attached 2	

### Datos Principales Main Data

Par máx. continuo en ambas salidas conjuntas Max. continuous torque for both outputs	600 Nm
Máx. potencia @ 1000 r.p.m. en ambas salidas conjuntas Max. power @ 1000 r.p.m. for both outputs	85 C.V. // 63 Kw
Lado de montaje Mounting position	Inferior Bottom
Peso Weight (Kg)	34

código code



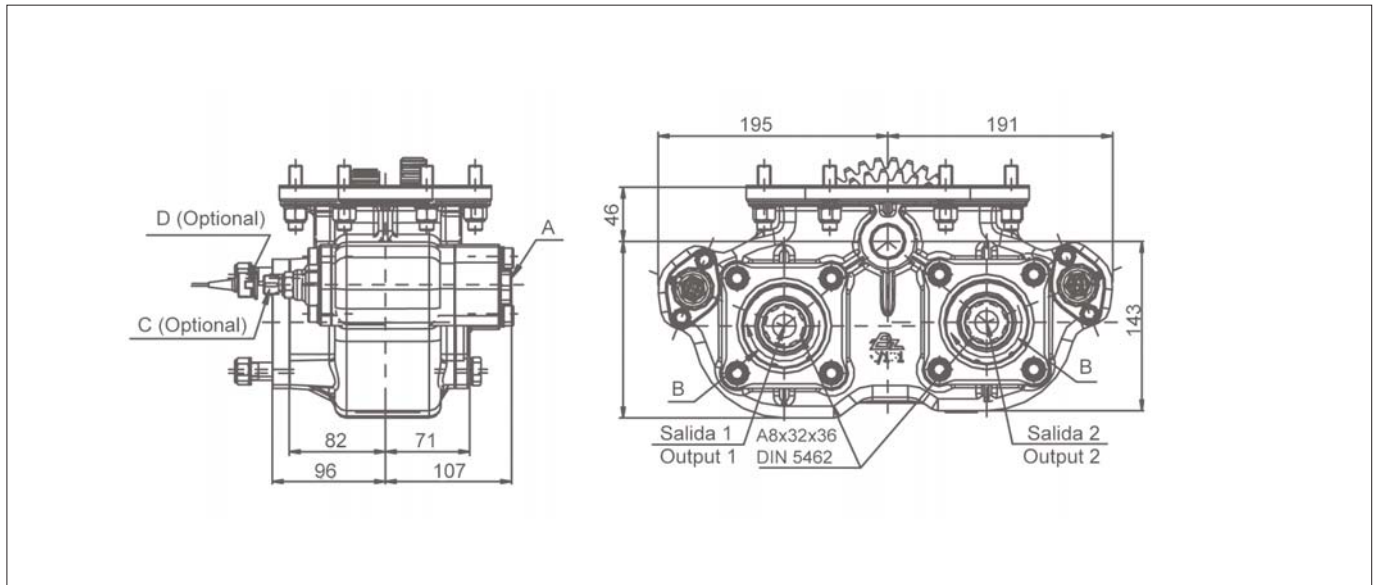
# Toma de Fuerza Power Take Off's

FULLER

DOS SALIDAS INDEPENDIENTES  
TWO INDEPENDENT OUTPUTS

# Eaton

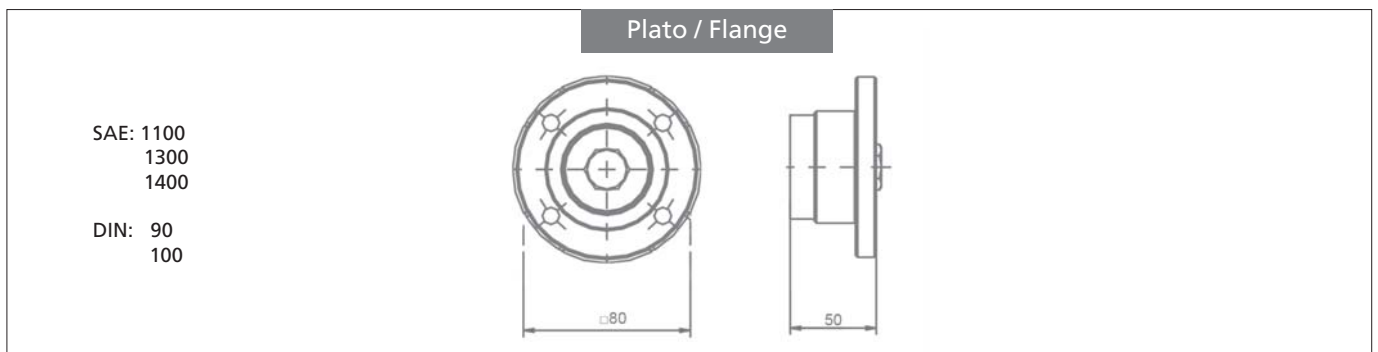
Inferior Neumático  
Bottom Pneumatic



## Notas Notes

A	Toma de aire, 1/4" GAS	A	Engage PTO, thread 1/4" BSP
B	Sentido de giro	B	Rotation
C	Indicador de funcionamiento. (100070001)	C	Passing contact switch. P/N 100070001
D	Conector con 3m de cable (906599)	D	Connector with 3m. of cable. P/N 906599

## Tipos de Salida Output Types



código code

1216950CB

# Toma de Fuerza Power Take Off's

FULLER

DOS SALIDAS INDEPENDIENTES  
TWO INDEPENDENT OUTPUTS

# Eaton

Inferior Neumático  
Bottom Pneumatic

CAJA GEARBOX	RELACIÓN RATIO	
	1(70%)	2(64%)
RT509	0,753	0,679
RT510	0,753	0,679
RT609	0,753	0,679
RTO609	0,934	0,844
RT610	0,753	0,679
RT613	0,753	0,679
RTO613	0,934	0,844
T905G	1,036	0,936
RT906	1,036	0,936
RT906A	1,036	0,936
RTF906	1,036	0,936
RTF906A	1,036	0,936
RT909	1,036	0,936
RT909A	1,036	0,936
RTF909	1,036	0,936
RTF909A	1,036	0,936
RTO909A	1,400	1,264
RTO909B	1,400	1,264
RTOF909A	1,400	1,264
RTOF909B	1,400	1,264
RT910	1,036	0,936
RTF910	1,036	0,936
RTO910	1,283	1,158
RT913	1,036	0,936
RTF913	1,036	0,936
RTO913	1,036	0,936
RTO913A	1,036	0,936
RTOF913	1,036	0,936
RT915	1,036	0,936
RTF915	1,036	0,936
RTO915	1,283	1,158
T955GL	1,036	0,936
RT958LL	1,400	1,264
RTO958LL	1,400	1,264
RT1110	1,036	0,936
RTO1110	1,315	1,188
RTO1213	1,036	0,936
RTO1258LL	1,400	1,264
TA4510	1,036	0,936
RT6609	0,747	0,675
RTO6609	0,934	0,844
RTX6609	0,935	0,844
RTOX6609	0,934	0,844

CAJA GEARBOX	RELACIÓN RATIO	
	1(70%)	2(64%)
RT6610	0,747	0,675
RTO6610	0,934	0,844
RT6613	0,747	0,675
RTO6613	0,935	0,844
RT7609	0,753	0,679
RTO7609	0,992	0,897
RTX7609	0,992	0,897
TA7610	1,036	0,936
RT7613	0,747	0,675
RTO7613	0,747	0,675
RT8608L	0,838	0,756
RT9509A	1,036	0,936
RT9509C	1,036	0,936
RTF9509A	1,036	0,936
RTO9509A	1,397	1,261
RTO9509B	1,167	1,055
RTOF9509A	1,397	1,261
RTOF9509B	1,167	1,055
MRT09509A	1,397	1,261
MRT09509B	1,167	1,055
RT9513	1,036	0,936
RTF9513	1,036	0,936
RTO9513	1,036	0,936
RTOF9513	1,036	0,936
MRT9513	1,036	0,936
MRT09513	1,036	0,936
RTO09513	1,167	1,055
RT11509	1,036	0,936
RTO11509	1,397	1,261
RT11608	0,851	0,768
RTO11608LL	1,386	1,252
RT11609A	1,036	0,936
RTF11609A	1,036	0,936
RTO11609A	1,386	1,252
RTO11609B	1,167	1,055
RTX11609A	1,386	1,252
RTX11609B	1,140	1,030
RTO12710B	1,386	1,252
RTX12710B	1,386	1,252
RTOF11609A	1,386	1,252
RTOF11609B	1,167	1,055
RTOX11609A	1,386	1,252
MRT11609	1,036	0,936
RT11610	1,036	0,936
RTO11610	1,310	1,183

CAJA GEARBOX	RELACIÓN RATIO	
	1(70%)	2(64%)
RT11613	1,036	0,936
RT11613C	1,036	0,936
RTF11613	1,036	0,936
RTO11613	1,036	0,936
RTOF11613	1,036	0,936
RTOO11613	1,167	1,055
RTOOF11613	1,167	1,055
RTOOX11613	1,167	1,055
RTX11613B	1,386	1,252
RT11615	1,036	0,936
RTO11615	1,310	1,183
RTOX11708LL	1,397	1,261
RT11709H	1,009	0,912
RTX11709B	1,167	1,055
RT11710B	1,036	0,936
RT11715	1,036	0,936
RTO11715	1,310	1,183
RT12509	1,036	0,936
RTF12509	1,036	0,936
RTO12509	1,400	1,264
RTOF12509	1,400	1,264
RT12510	1,036	0,936
RTO12510	1,315	1,188
RTF12510	1,036	0,936
RTOF12510	1,315	1,188
RT12513	1,036	0,936
RTO12513	1,036	0,936
RT12515	1,036	0,936
RTF12515	1,036	0,936
RTO12515	1,036	0,936
RT12609A	1,036	0,936
RTO12609A	1,397	1,261
RTO12609B	1,167	1,055
RT12610	1,036	0,936
RT12709H	1,009	0,912
RT12710B	1,036	0,936
RTO12710B	1,386	1,252
RTX12710B	1,386	1,252
RT13710B	1,036	0,936
RT14608	0,851	0,768
RTO14608LL	1,386	1,252
RT14609A	1,036	0,936
RTF14609A	1,036	0,936

CAJA GEARBOX	RELACIÓN RATIO	
	1(70%)	2(64%)
RTO14609A	1,386	1,252
RTO14609B	1,167	1,055
RTX14609A	1,386	1,252
RTX14609B	1,140	1,030
RTOF14609A	1,386	1,252
RTOF14609B	1,167	1,055
RTOX14609B	1,167	1,055
RT14610	1,036	0,936
RTO14610	1,310	1,183
RT14613	1,036	0,936
RT14613B	1,036	0,936
RTF14613	1,036	0,936
RTLO14613B	1,036	0,936
RTO14613	1,036	0,936
RTOF14613	1,036	0,936
RTOO14613	1,167	1,055
RTOOF14613	1,167	1,055
RTOOX14613	1,167	1,055
RT14615	1,036	0,936
RTO14615	1,310	1,183
RTX14615	1,310	1,183
RTLOF14618A	1,036	0,936
RTOX14708LL	1,397	1,261
RT14710B	1,036	0,936
RTO14710B	1,386	1,252
RT14715	1,036	0,936
RT14715	1,310	1,183
RTX14715	1,310	1,183
RTLO14718B	1,167	1,055
RT15613	1,036	0,936
RT15613A	1,036	0,936
RT15613B	1,036	0,936
RTO15613	1,036	0,936
RTO15613A	1,036	0,936
RTO15613B	1,036	0,936
RT15615	1,167	1,055
RTO15615	1,036	0,936
RTO15618	1,036	0,936
RT15715	1,036	0,936
RTO15715	1,310	1,183
RTLO16618A	1,036	0,936
RTLO16718B	1,167	1,055
RTLO18718B	1,167	1,055



código code

1216950EC

# Toma de Fuerza Power Take Off's

FULLER

DOS SALIDAS INDEPENDIENTES  
TWO INDEPENDENT OUTPUTS

# Eaton

Inferior Neumático  
Bottom Pneumatic

CAJA GEARBOX	RELACIÓN RATIO	
	1(80%)	2(75%)
RT509	0,860	0,796
RT510	0,860	0,796
RT609	0,860	0,796
RTO609	1,067	0,989
RT610	0,860	0,796
RT613	0,860	0,796
RTO613	1,067	0,989
T905G	1,184	1,097
RT906	1,184	1,097
RT906A	1,184	1,097
RTF906	1,184	1,097
RTF906A	1,184	1,097
RT909	1,184	1,097
RT909A	1,184	1,097
RTF909	1,184	1,097
RTF909A	1,184	1,097
RTO909A	1,600	1,481
RTO909B	1,600	1,481
RTOF909A	1,600	1,481
RTOF909B	1,600	1,481
RT910	1,184	1,097
RTF910	1,184	1,097
RTO910	1,466	1,357
RT913	1,184	1,097
RTF913	1,184	1,097
RTO913	1,184	1,097
RTO913A	1,184	1,097
RTOF913	1,184	1,097
RT915	1,184	1,097
RTF915	1,184	1,097
RTO915	1,466	1,357
T955GL	1,184	1,097
RT958LL	1,600	1,481
RTO958LL	1,600	1,481
RT1110	1,184	1,097
RTO1110	1,503	1,392
RTO1213	1,184	1,097
RTO1258LL	1,600	1,481
TA4510	1,184	1,097
RT6609	0,854	0,791
RTO6609	1,067	0,989
RTX6609	1,068	0,989
RTOX6609	1,067	0,989

CAJA GEARBOX	RELACIÓN RATIO	
	1(80%)	2(75%)
RT6610	0,854	0,791
RTO6610	1,067	0,989
RT6613	0,854	0,791
RTO6613	1,068	0,989
RT7609	0,860	0,796
RTO7609	1,134	1,051
RTX7609	1,134	1,051
TA7610	1,184	1,097
RT7613	0,854	0,791
RTO7613	0,854	0,791
RT8608L	0,957	0,886
RT9509A	1,184	1,097
RT9509C	1,184	1,097
RTF9509A	1,184	1,097
RTO9509A	1,596	1,478
RTO9509B	1,334	1,236
RTOF9509A	1,596	1,478
RTOF9509B	1,334	1,236
MRT09509A	1,596	1,478
MRT09509B	1,334	1,236
RT9513	1,184	1,097
RTF9513	1,184	1,097
RTO9513	1,184	1,097
RTOF9513	1,184	1,097
MRT9513	1,184	1,097
MRT09513	1,184	1,097
RTO09513	1,334	1,236
RT11509	1,184	1,097
RTO11509	1,596	1,478
RT11608	0,972	0,900
RTO11608LL	1,584	1,467
RT11609A	1,184	1,097
RTF11609A	1,184	1,097
RTO11609A	1,584	1,467
RTO11609B	1,334	1,236
RTX11609A	1,584	1,467
RTX11609B	1,302	1,207
RTO12710B	1,584	1,467
RTX12710B	1,584	1,467
RTOF11609A	1,584	1,467
RTOF11609B	1,334	1,236
RTOX11609A	1,584	1,467
MRT11609	1,184	1,097
RT11610	1,184	1,097
RTO11610	1,497	1,386

CAJA GEARBOX	RELACIÓN RATIO	
	1(80%)	2(75%)
RT11613	1,184	1,097
RT11613C	1,184	1,097
RTF11613	1,184	1,097
RTO11613	1,184	1,097
RTOF11613	1,184	1,097
RTOO11613	1,334	1,236
RTOOF11613	1,334	1,236
RTOOX11613	1,334	1,236
RTX11613B	1,584	1,467
RT11615	1,184	1,097
RTO11615	1,497	1,386
RTOX11708LL	1,596	1,478
RT11709H	1,153	1,068
RTX11709B	1,334	1,236
RT11710B	1,184	1,097
RT11715	1,184	1,097
RTO11715	1,497	1,386
RT12509	1,184	1,097
RTF12509	1,184	1,097
RTO12509	1,600	1,481
RTOF12509	1,600	1,481
RT12510	1,184	0,097
RTO12510	1,503	1,392
RTF12510	1,184	1,097
RTOF12510	1,503	1,392
RT12513	1,184	1,097
RTO12513	1,184	1,097
RT12515	1,184	1,097
RTF12515	1,184	1,097
RTO12515	1,184	1,097
RT12609A	1,184	1,097
RTO12609A	1,596	1,478
RTO12609B	1,334	1,236
RT12610	1,184	1,097
RT12709H	1,153	1,068
RT12710B	1,184	1,097
RTO12710B	1,584	1,467
RTX12710B	1,584	1,467
RT13710B	1,184	1,097
RT14608	0,972	0,900
RTO14608LL	1,584	1,467
RT14609A	1,184	1,097
RTF14609A	1,184	1,097

CAJA GEARBOX	RELACIÓN RATIO	
	1(80%)	2(75%)
RTO14609A	1,584	1,467
RTO14609B	1,334	1,236
RTX14609A	1,584	1,467
RTX14609B	1,302	1,207
RTOF14609A	1,584	1,467
RTOF14609B	1,334	1,236
RTOX14609B	1,334	1,236
RT14610	1,184	1,097
RTO14610	1,497	1,386
RT14613	1,184	1,097
RT14613B	1,184	1,097
RTF14613	1,184	1,097
RTLO14613B	1,184	1,097
RTO14613	1,184	1,097
RTOF14613	1,184	1,097
RTOO14613	1,334	1,236
RTOOF14613	1,334	1,236
RTOOX14613	1,334	1,236
RT14615	1,184	1,097
RTO14615	1,497	1,386
RTX14615	1,497	1,386
RTLOF14618A	1,184	1,097
RTOX14708LL	1,596	1,478
RT14710B	1,184	1,097
RTO14710B	1,584	1,467
RT14715	1,184	1,097
RT14715	1,497	1,386
RTX14715	1,497	1,386
RTLO14718B	1,334	1,236
RT15613	1,184	1,097
RT15613A	1,184	1,097
RT15613B	1,184	1,097
RTO15613	1,184	1,097
RTO15613A	1,184	1,097
RTO15613B	1,184	1,097
RT15615	1,334	1,236
RTO15615	1,184	1,097
RTO15618	1,184	1,097
RT15715	1,184	1,097
RTO15715	1,497	1,386
RTLO16618A	1,184	1,097
RTLO16718B	1,334	1,236
RTLO18718B	1,334	1,236



código code

1216950JE

# Toma de Fuerza Power Take Off's

FULLER

DOS SALIDAS INDEPENDIENTES  
TWO INDEPENDENT OUTPUTS

# Eaton

Inferior Neumático  
Bottom Pneumatic

CAJA GEARBOX	RELACIÓN RATIO	
	1(95%)	2(86%)
RT509	1,021	0,913
RT510	1,021	0,913
RT609	1,021	0,913
RTO609	1,267	1,134
RT610	1,021	0,913
RT613	1,021	0,913
RTO613	1,267	1,134
T905G	1,406	1,258
RT906	1,406	1,258
RT906A	1,406	1,258
RTF906	1,406	1,258
RTF906A	1,406	1,258
RT909	1,406	1,258
RT909A	1,406	1,258
RTF909	1,406	1,258
RTF909A	1,406	1,258
RTO909A	1,900	1,698
RTO909B	1,900	1,698
RTOF909A	1,900	1,698
RTOF909B	1,900	1,698
RT910	1,406	1,258
RTF910	1,406	1,258
RTO910	1,741	1,556
RT913	1,406	1,258
RTF913	1,406	1,258
RTO913	1,406	1,258
RTO913A	1,406	1,258
RTOF913	1,406	1,258
RT915	1,406	1,258
RTF915	1,406	1,258
RTO915	1,741	1,556
T955GL	1,406	1,258
RT958LL	1,900	1,698
RTO958LL	1,900	1,698
RT1110	1,406	1,258
RTO1110	1,785	1,596
RTO1213	1,406	1,258
RTO1258LL	1,900	1,698
TA4510	1,406	1,258
RT6609	1,014	0,907
RTO6609	1,267	1,134
RTX6609	1,268	1,134
RTOX6609	1,267	1,134

CAJA GEARBOX	RELACIÓN RATIO	
	1(95%)	2(86%)
RT6610	1,014	0,907
RTO6610	1,267	1,134
RT6613	1,014	0,907
RTO6613	1,268	1,134
RT7609	1,021	0,913
RTO7609	1,347	1,205
RTX7609	1,347	1,205
TA7610	1,406	1,258
RT7613	1,014	0,907
RTO7613	1,014	0,907
RT8608L	1,137	1,015
RT9509A	1,406	1,258
RT9509C	1,406	1,258
RTF9509A	1,406	1,258
RTO9509A	1,895	1,695
RTO9509B	1,584	1,417
RTOF9509A	1,895	1,695
RTOF9509B	1,584	1,417
MRT09509A	1,895	1,695
MRT09509B	1,584	1,417
RT9513	1,406	1,258
RTF9513	1,406	1,258
RTO9513	1,406	1,258
RTOF9513	1,406	1,258
MRT9513	1,406	1,258
MRT09513	1,406	1,258
RTO09513	1,584	1,417
RT11509	1,406	1,258
RTO11509	1,895	1,695
RT11608	1,154	1,032
RTO11608LL	1,881	1,682
RT11609A	1,406	1,258
RTF11609A	1,406	1,258
RTO11609A	1,881	1,682
RTO11609B	1,584	1,417
RTX11609A	1,881	1,682
RTX11609B	1,547	1,384
RTOF11609A	1,881	1,682
RTOF11609B	1,584	1,417
RTOX11609A	1,881	1,682
MRT11609	1,406	1,258
RT11610	1,406	1,258
RTO11610	1,778	1,589

CAJA GEARBOX	RELACIÓN RATIO	
	1(95%)	2(86%)
RT11613	1,406	1,258
RT11613C	1,406	1,258
RTF11613	1,406	1,258
RTO11613	1,406	1,258
RTOF11613	1,406	1,258
RTOO11613	1,584	1,417
RTOOF11613	1,584	1,417
RTOOX11613	1,584	1,417
RTX11613B	1,881	1,682
RT11615	1,406	1,258
RTO11615	1,778	1,589
RTOX11708LL	1,895	1,695
RT11709H	1,369	1,225
RTX11709B	1,584	1,417
RT11710B	1,406	1,258
RT11715	1,406	1,258
RTO11715	1,778	1,589
RT12509	1,406	1,258
RTF12509	1,406	1,258
RTO12509	1,900	1,698
RTOF12509	1,900	1,698
RT12510	1,406	1,258
RTO12510	1,785	1,596
RTF12510	1,406	1,258
RTOF12510	1,785	1,596
RT12513	1,406	1,258
RTO12513	1,406	1,258
RT12515	1,406	1,258
RTF12515	1,406	1,258
RTO12515	1,406	1,258
RT12609A	1,406	1,258
RTO12609A	1,895	1,695
RTO12609B	1,584	1,417
RT12610	1,406	1,258
RT12709H	1,369	1,225
RT12710B	1,406	1,258
RTO12710B	1,881	1,682
RTX12710B	1,881	1,682
RT13710B	1,406	1,258
RT14608	1,154	1,032
RTO14608LL	1,881	1,682
RT14609A	1,406	1,258
RTF14609A	1,406	1,258

CAJA GEARBOX	RELACIÓN RATIO	
	1(95%)	2(86%)
RTO14609A	1,881	1,682
RTO14609B	1,584	1,417
RTX14609A	1,881	1,682
RTX14609B	1,547	1,384
RTOF14609A	1,881	1,682
RTOF14609B	1,584	1,417
RTOX14609B	1,584	1,417
RT14610	1,406	1,258
RTO14610	1,778	1,589
RT14613	1,406	1,258
RT14613B	1,406	1,258
RTF14613	1,406	1,258
RTLO14613B	1,406	1,258
RTO14613	1,406	1,258
RTOF14613	1,406	1,258
RTOO14613	1,584	1,417
RTOOF14613	1,584	1,417
RTOOX14613	1,584	1,417
RT14615	1,406	1,258
RTO14615	1,778	1,589
RTX14615	1,778	1,589
RTLOF14618A	1,406	1,258
RTOX14708LL	1,895	1,695
RT14710B	1,406	1,258
RTO14710B	1,881	1,682
RT14715	1,406	1,258
RTO14715	1,778	1,589
RTX14715	1,778	1,589
RTLO14718B	1,584	1,417
RT15613	1,406	1,258
RT15613A	1,406	1,258
RT15613B	1,406	1,258
RTO15613	1,406	1,258
RTO15613A	1,406	1,258
RTO15613B	1,406	1,258
RT15615	1,584	1,417
RTO15615	1,406	1,258
RTO15618	1,406	1,258
RT15715	1,406	1,258
RTO15715	1,778	1,589
RTLO16618A	1,406	1,258
RTLO16718B	1,584	1,417
RTLO18718B	1,584	1,417

