

código code

122703

FULLER **Eaton**Inferior Neumático  
Bottom Pneumatic

## Descripción Description

Toma de fuerza de dos piñones en toma constante de compacto para montar bombas ISO 4 taladros. Accionamiento neumático, montaje en el registro inferior de ocho taladros de la caja de cambios.

Power Take-off two gears, constant mesh, compact output to connect Iso 4 bolts pumps. Pneumatic shifting, mounting on 8 bolt-bottom window of the Gearbox.

### Datos Principales Main Data

Par nominal Torque (Nm)	Continuo Continuous	350
	Intermitente Intermittent	490
Potencia (Cv) a 1000 r.p.m. Power (HP) 1000 r.p.m	50 C.V // 37 Kw	
Lado de montaje Mounting position	Inferior Bottom	
Sentido de giro de la bomba Pump rotation	Izquierdo Left Hand	
Peso Weight (Kg)	17	
Relación motor - Toma de Fuerza Engine to PTO ratio	Anexo Attached	

### Códigos y Combinaciones Codes and Combinations

Tipos de salida Output types	Eje Shaft	Plato Flange	Bomba Pump (DIN 5462)
Accionamiento neumático Pneumatic shifting		122902	122703

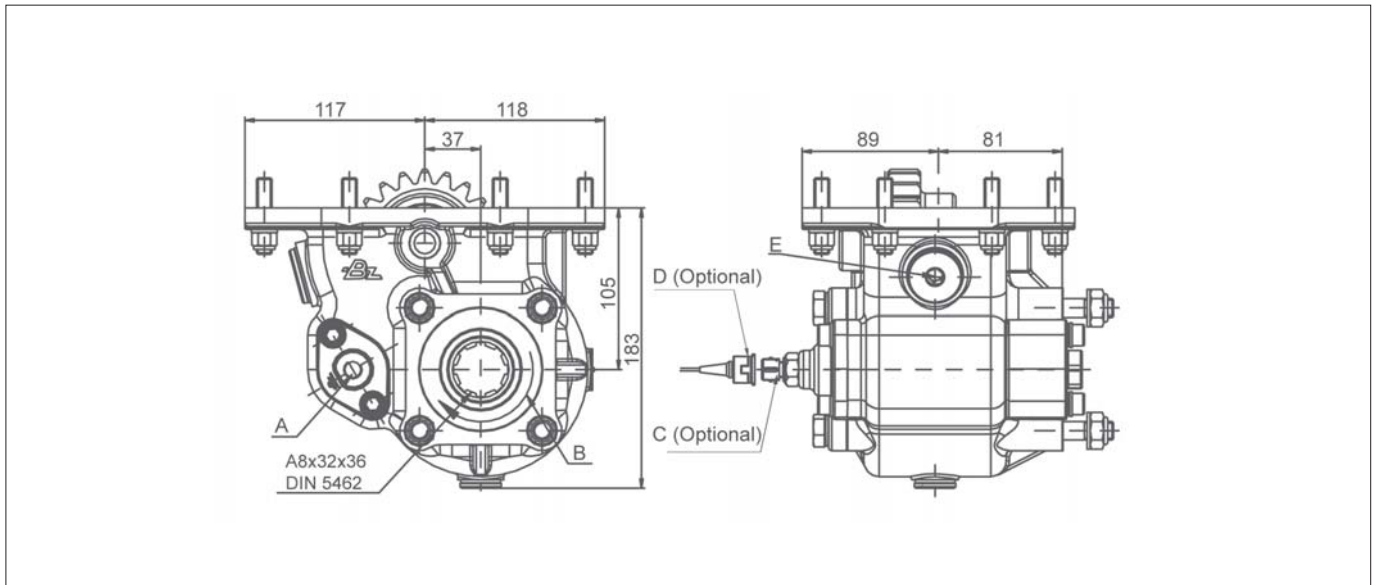
# Toma de Fuerza Power Take Off's

código code

122703

FULLER **Eaton**

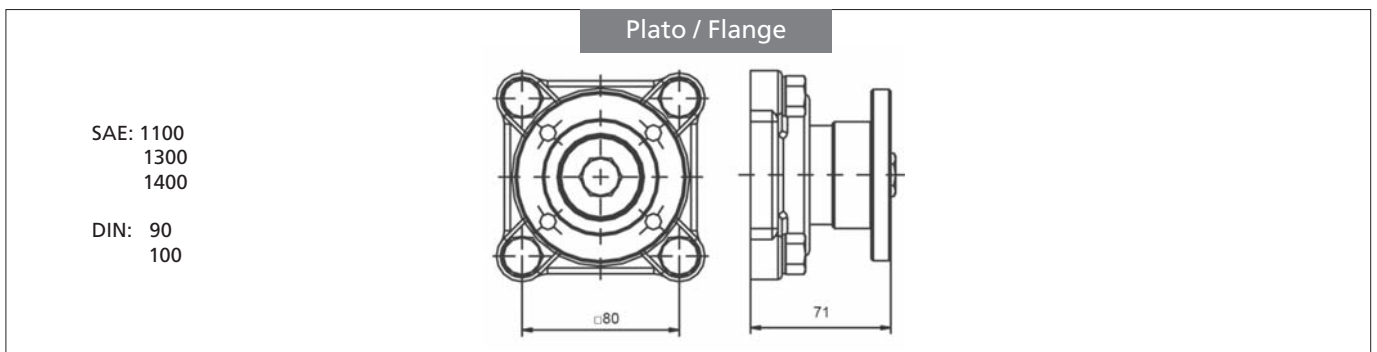
Inferior Neumático  
Bottom Pneumatic



## Notas Notes

A	Toma de aire, rosca 1/4" GAS	A	Air connection, thread 1/4" BSP
B	Sentido de giro	B	Rotation
C	Indicador de funcionamiento. (100070001)	C	Passing contact switch. P/N 100070001
D	Conector con 3m de cable (906599)	D	Conector with 3m. of cable. P/N 906599
E	Tapón comprobación juego de engranes	E	Backlash check plug

## Tipos de Salida Output Types



código code

122703

FULLER **Eaton**

Inferior Neumático

Bottom Pneumatic

CAJA GEARBOX	RELACIÓN RATIO
RT509	1,135
RT510	1,135
RT609	1,135
RTO609	1,409
RT610	1,135
RT613	1,135
RTO613	1,409
T905G	1,563
RT906	1,563
RT906A	1,563
RTF906	1,563
RTF906A	1,563
RT909	1,563
RT909A	1,563
RTF909	1,563
RTF909A	1,563
RTO909A	2,111
RTO909B	2,111
RTOF909A	2,111
RTOF909B	2,111
RT910	1,563
RTF910	1,563
RTO910	1,935
RT913	1,563
RTF913	1,563
RTO 913	1,563
RTO913A	1,563
RTOF913	1,563
RT915	1,563
RTF915	1,563
RTO915	1,935
T955GL	1,563
RT958LL	2,111
RTO958LL	2,111
RT1110	1,563
RTO1110	1,983
RTO1213	1,563
RTO1258LL	2,111
TA4510	1,563
RTO6609	1,409
RTX6609	1,410
RTOX6609	1,409

CAJA GEARBOX	RELACIÓN RATIO
RT6610	1,127
RTO6610	1,409
RT6613	1,127
RTO6613	1,410
RT7609	1,135
RTO7609	1,497
RTX7609	1,497
TA7610	1,563
RT7613	1,127
RTO7613	1,127
RT9509A	1,563
RT9509C	1,563
RTF9509A	1,563
RTO9509A	2,106
RTO9509B	1,761
RTOF9509A	2,106
RTOF9509B	1,761
MRTO9509A	2,106
MRTO9509B	1,761
RT9513	1,563
RTF9513	1,563
RTO9513	1,563
RTOF9513	1,563
MRT9513	1,563
MRTO9513	1,563
RTOO9513	1,761
RT11509	1,563
RTO11509	2,106
RT11608	1,283
RTO11608LL	2,091
RT11609A	1,563
RTF11609A	1,563
RTO11609A	2,091
RTO11609B	1,761
RTX11609A	2,091
RTOF11609A	2,091
RTOF11609B	1,761
RTOX11609A	2,091
MRT11609	1,563
RT11610	1,563
RTO11610	1,975

CAJA GEARBOX	RELACIÓN RATIO
RT11613	1,563
RT11613C	1,563
RTF11613	1,563
RTO11613	1,563
RTOF11613	1,563
RTOO11613	1,761
RTOOF11613	1,761
RTOOX11613	1,761
RTX11613B	2,091
RT11615	1,563
RTO11615	1,975
RTOX11708LL	2,106
RTX11709B	1,761
RT11710B	1,563
RT11715	1,563
RTO11715	1,975
RT12509	1,563
RTF12509	1,563
RTO12509	2,111
RTOF12509	2,111
RT12510	1,563
RTO12510	1,983
RTF12510	1,563
RTOF12510	1,983
RT12513	1,563
RTO12513	1,563
RT12515	1,563
RTF12515	1,563
RTO12515	1,563
RT12609A	1,563
RTO12609A	2,106
RTO12609B	1,761
RT12610	1,563
RT12710B	1,563
RTO12710B	2,091
RTX12710B	2,091
RT13710B	1,563
RT14608	1,283
RTO14608LL	2,091
RT14609A	1,563
RTF14609A	1,563

CAJA GEARBOX	RELACIÓN RATIO
RTO14609A	2,091
RTO14609B	1,761
RTX14609A	2,091
RTOF14609A	2,091
RTOF14609B	1,761
RTOX14609B	1,761
RT14610	1,563
RTO14610	1,975
RT14613	1,563
RT14613B	1,563
RTF14613	1,563
RTLO14613B	1,563
RTO14613	1,563
RTOF14613	1,563
RTOO14613	1,761
RTOOF14613	1,761
RTOOX14613	1,761
RT14615	1,563
RTO14615	1,975
RTX14615	1,975
RTLOF14618A	1,563
RTOX14708LL	2,106
RT14710B	1,563
RTO14710B	2,091
RT14715	1,563
RTO14715	1,975
RTX14715	1,975
RTLO14718B	1,761
RT15613	1,563
RT15613A	1,563
RT15613B	1,563
RTO15613	1,563
RTO15613A	1,563
RTO15613B	1,563
RT15615	1,761
RTO15615	1,563
RTO15618	1,563
RT15715	1,563
RTO15715	1,975
RTLO16618A	1,563
RTLO16718B	1,761
RTLO18718B	1,761

# Toma de Fuerza Power Take Off's

código code

122703

FULLER **Eaton**

Inferior Neumático  
Bottom Pneumatic

CAJA GEARBOX	RELACIÓN RATIO
<b>9 SPEEDS</b>	
RT-6609A	1,131
RT-8608L	1,298
RTX-11609B	1,768
RTX-12609B	1,768
RTX-13609B	1,768
RTX-14609B	1,768
RTX-16709B	1,768
RT-8709B	1,567
RT-11709H	1,567
RT-12709H	1,567
RT-13709H	1,567
RT-14709H	1,567
RTOC-16909A	1,567
<b>10 SPEEDS</b>	
RT-8908LL	1,567
RTO-11908LL	2,104
RTO-14908LL	2,104
RTO-16908LL	2,104
FR-9210B	1,455
FR-11210B	1,455
FR-12210B	1,455
FR-13210B	1,455
FR-14210B	1,455
FR-15210B	1,455
FRO-11210B	1,947
FRO-12110B	1,947
FRO-13210B	1,947
FRO-14210B	1,947
FRO-15210B	1,947
FRO-16210B	1,947
FRO-11210C	1,947
FRO-12110C	1,880
FRO-13210C	1,880
FRO-14210C	1,880
FRO-15210C	1,880
FRO-16210c	1,880
FRO-17210C	1,880
FRO-18210C	1,880

CAJA GEARBOX	RELACIÓN RATIO
<b>11 SPEEDS</b>	
RTO-11909ALL	1,768
RTO-14909ALL	1,768
RTO-16909ALL	1,768
<b>13 SPEEDS</b>	
RTLO-12913A	1,768
RTLO-14913A	1,768
RTLO-16913A	1,768
RTLO-18913A	1,768
RTLO-20913A	1,768
<b>15 SPEEDS</b>	
RT-14915	1,567
RTO-14915	1,992
RTO-16915	1,992
<b>18 SPEEDS</b>	
RTLO-14918B	1,768
RTLO-16918B	1,768
RTLO-18918B	1,768
RTLO-20918B	1,768
RTLO-21918B	1,768